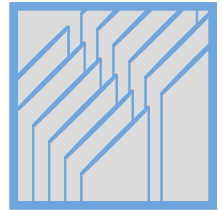


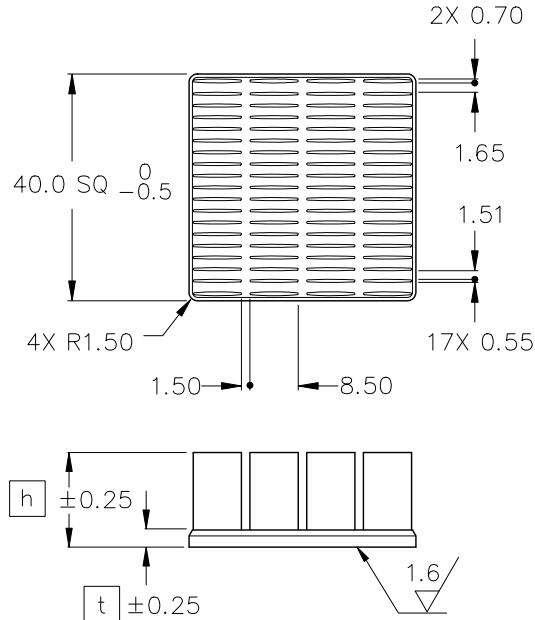
ALPHA

Low Pressure Drop and
Low Thermal Resistance Heat Sink

UB40



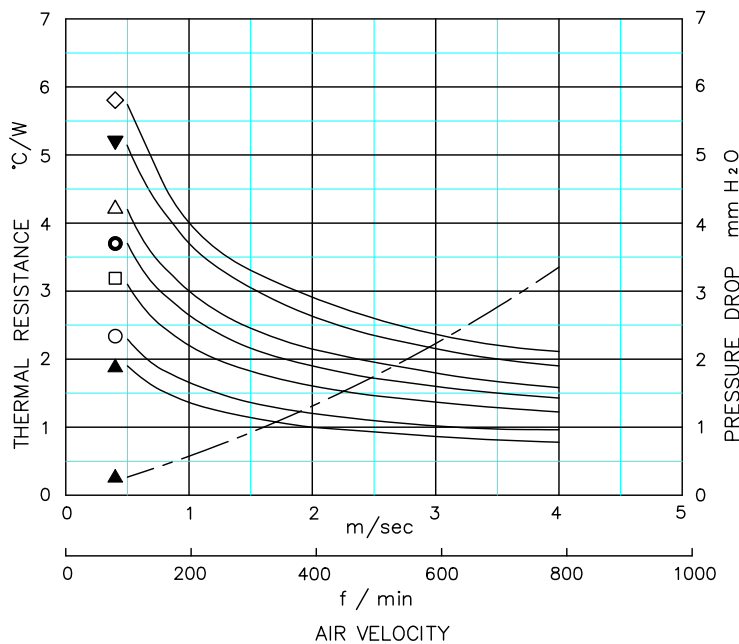
DIM



MODEL	HEIGHT h	THICKNESS t	WEIGHT (grams)
UB40-6B	6	2.0	12.0
UB40-7B	7		12.9
UB40-10B	10	3.0	17.8
UB40-12B	12		19.7
UB40-15B	15		22.5
UB40-20B	20		27.3
UB40-25B	25		32.0

MATERIAL : A 6063
FINISH : BLACK ANODIZE
DIMENSIONS : mm

DATA



- ◇ UB40-6B
- ▼ UB40-7B
- △ UB40-10B
- UB40-12B
- UB40-15B
- UB40-20B
- ▲ UB40-25B

● DUCTED CONDITION
DUMMY HEATER SIZE: 12.7 SQ
THERMAL RESISTANCE ———
PRESSURE DROP - - - - -

■ BASED ON ALPHA'S STANDARD TEST PROCEDURE. REFER TO TECHNICAL INFORMATION.

Alpha Company Ltd.

256-1 UEDA, NUMAZU-CITY SHIZUOKA-PREF., JAPAN
PHONE +81(55)966 0789
FAX +81(55)966 9192
E mail : alpha@micforg.co.jp
URL : <http://www.micforg.co.jp>

Alpha Novatech, Inc. - a subsidiary of Alpha Company.

473 Sapena Ct. #12 Santa Clara, CA 95054 USA
PHONE +1(408)567-8082
FAX +1(408)567-8053
E mail : sales@alphanovatech.com
URL : <http://www.alphanovatech.com>