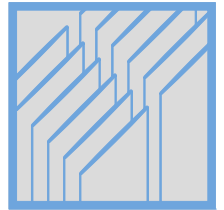


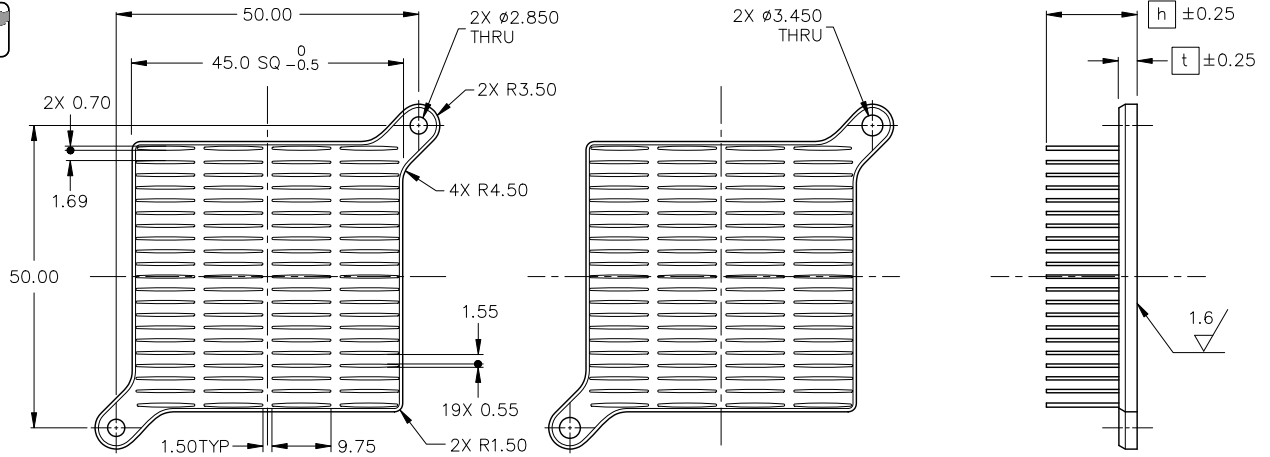
# ALPHA

Low Pressure Drop and  
Low Thermal Resistance Heat Sink  
with Mounting Tabs

# UBR 45



DIM



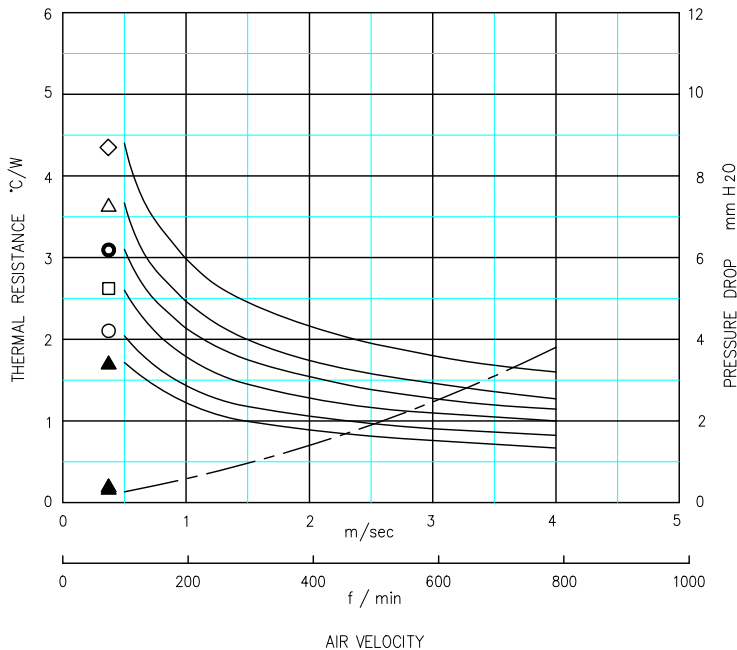
UBR45-XXBC  
FOR  $\phi 2.500 \pm 0.05$  PCB HOLES

UBR45-XXB  
FOR  $\phi 3.175 \pm 0.05$  PCB HOLES

MODEL	HEIGHT [h]	THICKNESS [t]	WEIGHT (grams)
UBR45-8BC, UBR45-8B	8	3.00	19.9
UBR45-10BC, UBR45-10B	10		24.3
UBR45-12BC, UBR45-12B	12		27.6
UBR45-15BC, UBR45-15B	15		29.6
UBR45-20BC, UBR45-20B	20		34.8
UBR45-25BC, UBR45-25B	25		40.1
UBR45-[h]BC, UBR45-[h]B	$h \leq 8$	2.50	-
	$8 < h$	3.00	-

MATERIAL : A6063  
FINISH : BLACK ANODIZE  
DIMENSIONS : mm

DATA



- ◇ UBR45-8BC, UBR45-8B
- △ UBR45-10BC, UBR45-10B
- UBR45-12BC, UBR45-12B
- UBR45-15BC, UBR45-15B
- UBR45-20BC, UBR45-20B
- ▲ UBR45-25BC, UBR45-25B

● DUCTED CONDITION  
DUMMY HEATER SIZE: 12.7 SQ  
THERMAL RESISTANCE ———  
PRESURE DROP - - - -

■ BASED ON ALPHA'S STANDARD TEST PROCEDURE.  
REFER TO TECHNICAL INFORMATION.

Alpha Company Ltd.

256-1 UEDANUMAZU-CITY SHIZUOKA-PREF.,JAPAN  
PHONE +81(55)966 0789  
FAX +81(55)966 9192  
E mail : alpha@micforg.co.jp  
URL : <http://www.micforg.co.jp>

Alpha Novatech, Inc. - a subsidiary of Alpha Company.

473 Sapena Ct. #12 Santa Clara, CA 95054 USA  
PHONE +1(408)567-8082  
FAX +1(408)567-8053  
E mail : sales@alphanovatech.com  
URL : <http://www.alphanovatech.com>